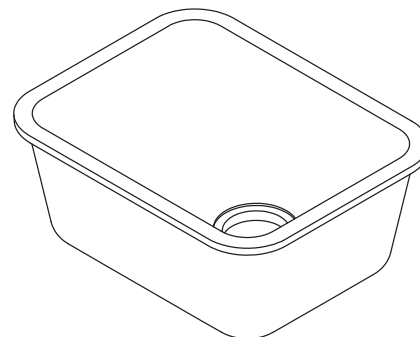
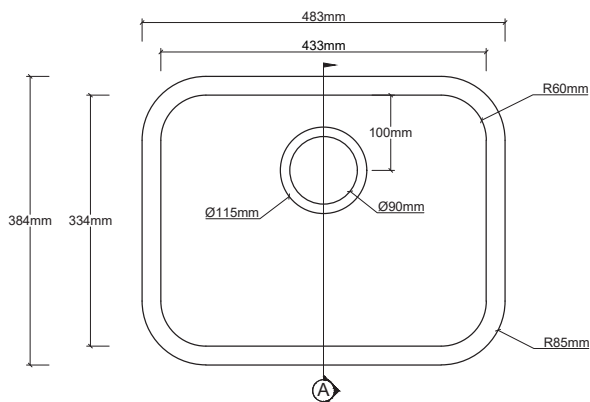
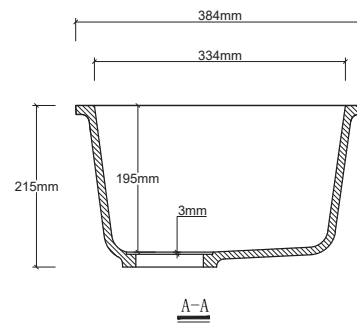
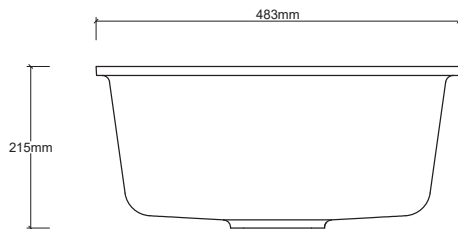




# Durasein

## Sink & Bowl Information

NAME  
THE ALBERT  
MODEL  
RLD127  
TOLERANCE  
±5MM





# Durasein

## Sink & Bowl Information

MODEL  
RLD127

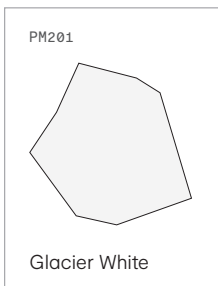
### Features & Benefits

- 100% acrylic
- Easy to clean
- Non-porous
- Stain resistant
- Mould & mildew resistant
- Suitable for residential & commercial applications
- Integral overflow : no

### Installation Tips

- Undermount
- No tap holes
- Drain assembly not included
- Drain hole size: 90mm

### Available Colours



Colour shown may vary from actual product. Request sample prior to product selection. We'd love to create something a little more custom for you, longer lead times with minimum order quantity applies.

### Codes/Standards/Tech Info

- Durasein sinks and bowls are UKCA & CE compliant
- All dimensions are nominal
- Details and specifications are subject to change

### Internal Dimensions

- Length 433mm
- Width 334mm
- Height 195mm

### Durasein Limited Warranty

- 10 year limited warranty against manufacturing defects under normal use

See website for detailed warranty information. Durasein reserves the right to make reservations without notice to product specifications. For the most current information, for to [durasein.co.uk](http://durasein.co.uk).