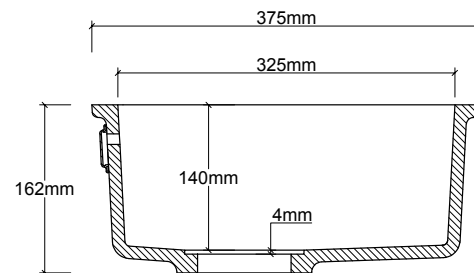
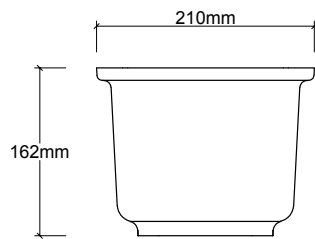




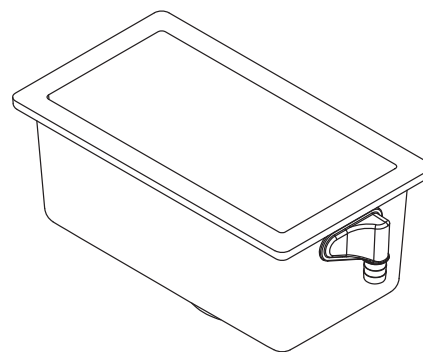
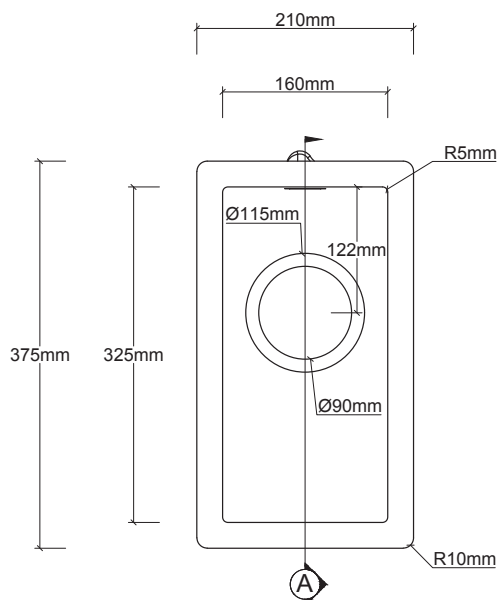
Durasein

Sink & Bowl Information

NAME
THE JANE
MODEL
RLD146A
TOLERANCE
±5MM



A-A





Durasein

Sink & Bowl Information

MODEL
RLD146A

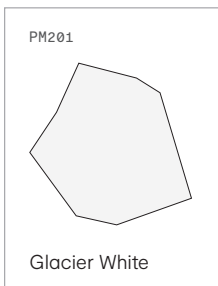
Features & Benefits

- 100% acrylic
- Easy to clean
- Non-porous
- Stain resistant
- Mould & mildew resistant
- Suitable for residential & commercial applications
- Integral overflow : no ; overflow : yes

Installation Tips

- Undermount
- No tap holes
- Drain assembly not included
- Drain hole size: 90mm

Available Colours



Colour shown may vary from actual product. Request sample prior to product selection. We'd love to create something a little more custom for you, longer lead times with minimum order quantity applies.

Codes/Standards/Tech Info

- Durasein sinks and bowls are UKCA & CE compliant
- All dimensions are nominal
- Details and specifications are subject to change

Internal Dimensions

- Length 160mm
- Width 325mm
- Height 140mm

Durasein Limited Warranty

- 10 year limited warranty against manufacturing defects under normal use

See website for detailed warranty information. Durasein reserves the right to make reservations without notice to product specifications. For the most current information, for to durasein.co.uk.