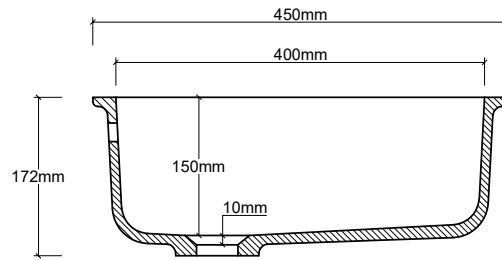
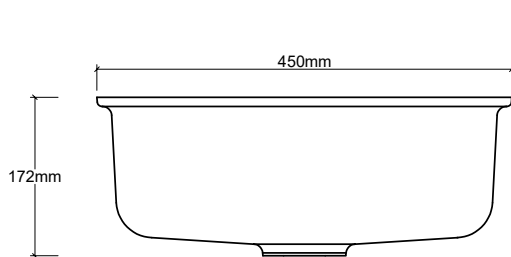




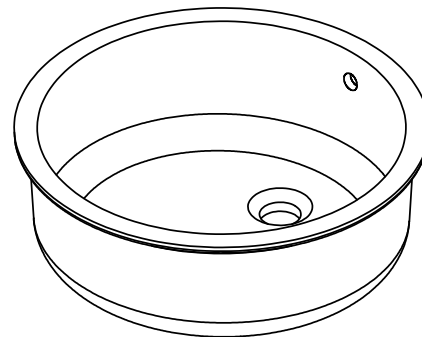
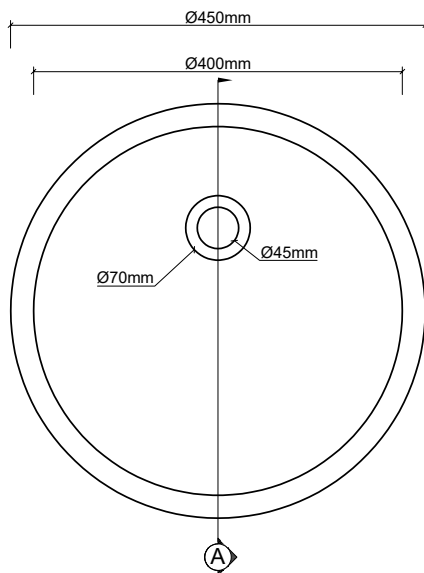
# Durasein

## Sink & Bowl Information

NAME  
THE SALVADOR  
MODEL  
RLA351A  
TOLERANCE  
±5MM



A-A





# Durasein

## Sink & Bowl Information

MODEL  
RLA351A

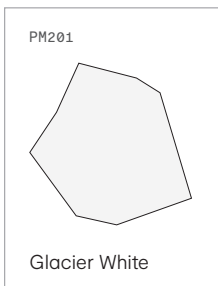
### Features & Benefits

- 100% acrylic
- Easy to clean
- Non-porous
- Stain resistant
- Mould & mildew resistant
- Suitable for residential & commercial applications
- Integral overflow : no ; overflow : yes

### Installation Tips

- Undermount
- No tap holes
- Drain assembly not included
- Drain hole size: 45mm

### Available Colours



Colour shown may vary from actual product. Request sample prior to product selection. We'd love to create something a little more custom for you, longer lead times with minimum order quantity applies.

### Codes/Standards/Tech Info

- Durasein sinks and bowls are UKCA & CE compliant
- All dimensions are nominal
- Details and specifications are subject to change

### Internal Dimensions

- Length 400mm
- Width 400mm
- Height 150mm

### Durasein Limited Warranty

- 10 year limited warranty against manufacturing defects under normal use

See website for detailed warranty information. Durasein reserves the right to make reservations without notice to product specifications. For the most current information, for to [durasein.co.uk](http://durasein.co.uk).